

All rights reserved by **CNH Industrial**.

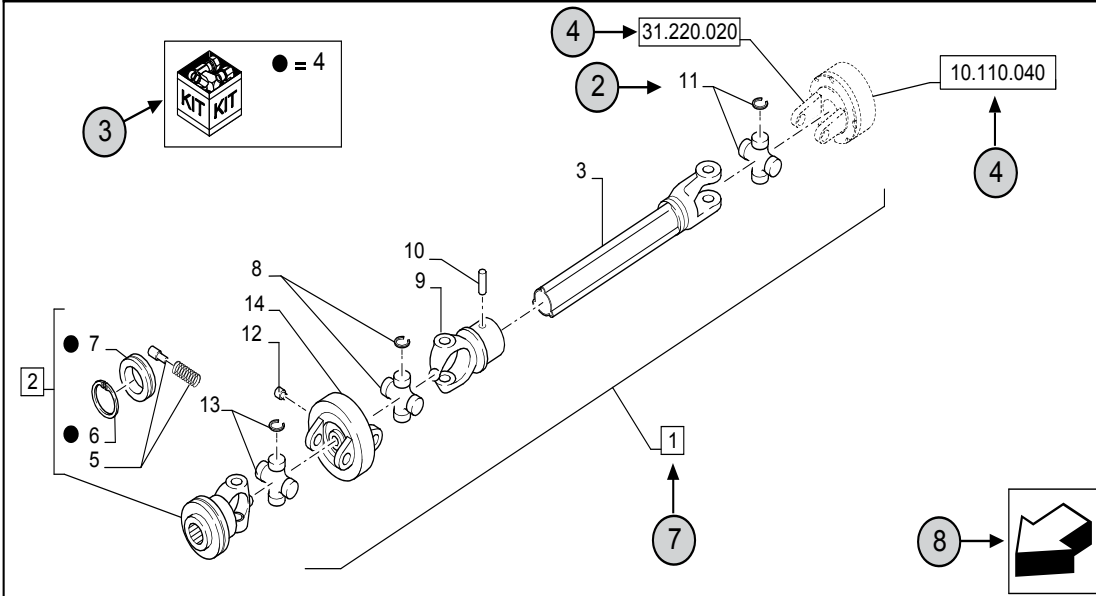
The information contained in this catalogue is intended to be of a general nature only. **CNH Industrial** may at any time and from time to time, for technical or other necessary reasons, modify any of the details or specifications of the product described in this catalogue.

To be sure of getting accurate, detailed and up-to-date information, an intending buyer should consult his nearest **CNH Industrial** dealer or distributor.

Single item numeration method used in this catalogue may not be used without written consent from **CNH Industrial**

31.220.010	01	p1	10/2014
------------	----	----	---------

VAR - 123782, 789101,987654 - PTO - D650



STANDARD ← 6

23	9	10	31.220.010	01	p1	10/2014
----	---	----	------------	----	----	---------

VAR - 123782, 789101,987654 - PTO - D650

11 12 13 14

REF	FN	PART NUMBER	YR/SN	QTY	DESCRIPTION
1	1	86529340	20	1	SHAFT PTO, Incl 2 - 11
2	15	84014007		1	YOKE, Incl 4 - 7 ← 7
3	16	NSS		1	NOT SERVICED SEPARATELY, SHAFT, 350mm, Incl in 1
4		84004292		1	KIT, Seal Kit, Incl 6, 7 ← 17
4		{84058743}		1	KIT, Seal Kit, Incl 6, 7
2				21	
18				22	
19					
		1 = FOR ITALY ONLY ← 5			

MODELS ← 1


- 1 Model Number and Model Description
- 2 Reference - Figure call-out of the part number.
- 3 Parts supplied in repair kits per symbol reference.
- 4 31.220.020 Part illustrated on the **Page** or in the **Figure** indicated, or calls for **Variations** or **Details**. Indicates components shown in detail elsewhere in the catalogue under the figure number shown.
- 5 Footnote references
- 6 Figure notes
- 7 1 2 Includes item(s) (See Description within partlist).
- 8 Orientation. (Arrow indicates front of the machine). 
- 9 Figure description.
- 10 General information of the figure.
- 11 Figure title number that aligns with the SRT. Standard Repair Time.
- 12 **Sequence** code within the assembly.
- 13 Page number within the sequence code.
- 14 **Date** of printing or updating of page (month-year).
- 15 **Note** - Relating to the Part Number. There is a key to symbols and abbreviations at the bottom of the text page.
- 16 Non-serviced parts.
- 17 Further description of the part to help confirm identification.
- 18 Not available as service part.
- 19 Part Number.
- 20 To be defined.
- 21 Total **Quantity** of the Part referred to in the page.
The quantity can be replaced by the following indications:
AR = quantity as requested.
- 22 Part **Description**.
- 23 Variant Codes

TABLE OF CONTENTS

00.000.00	01	PICTORIAL INDEX - MAIN SECTIONS
00.000.00	02	PICTORIAL INDEX - MAIN SECTIONS
00.000.00	03	PICTORIAL INDEX - MAIN SECTIONS
00.000.00	04	PICTORIAL INDEX - MAIN SECTIONS
00.000.05		PICTORIAL INDEX - MACHINE COMPLATION AND EQUIPMENT
00.000.10	01	PICTORIAL INDEX - ENGINE
00.000.10	02	PICTORIAL INDEX - ENGINE
00.000.10	03	PICTORIAL INDEX - ENGINE
00.000.18	01	PICTORIAL INDEX - CLUTCH
00.000.18	02	PICTORIAL INDEX - FLYWHEEL, DAMPER
00.000.21	01	PICTORIAL INDEX - TRANSMISSION
00.000.21	02	PICTORIAL INDEX - TRANSMISSION
00.000.23		PICTORIAL INDEX - 4WD LINES
00.000.25	01	PICTORIAL INDEX - FRONT MECHANICAL DRIVE
00.000.27		PICTORIAL INDEX - REAR DRIVE AXLE
00.000.31		PICTORIAL INDEX - IMPLEMENT POWER TAKE-OFF
00.000.33		PICTORIAL INDEX - BRAKES & CONTROLS
00.000.35	01	PICTORIAL INDEX - HYDRAULIC SYSTEMS
00.000.35	02	PICTORIAL INDEX - HYDRAULIC SYSTEMS
00.000.35	03	PICTORIAL INDEX - HYDRAULIC SYSTEMS
00.000.37	01	PICTORIAL INDEX - HITCHES, DRAWBARS AND IMPLEMENT COUPLINGS
00.000.37	02	PICTORIAL INDEX - HITCHES, DRAWBARS AND IMPLEMENT COUPLINGS
00.000.37	03	PICTORIAL INDEX - HITCHES, DRAWBARS AND IMPLEMENT COUPLINGS
00.000.39		PICTORIAL INDEX - FRAMES AND BALLASTING
00.000.41		PICTORIAL INDEX - STEERING
00.000.44	01	PICTORIAL INDEX - FRONT WHEELS
00.000.44	02	PICTORIAL INDEX - REAR WHEELS
00.000.50		PICTORIAL INDEX - CAB CLIMATE CONTROL
00.000.55	01	PICTORIAL INDEX - ELECTRICAL SYSTEMS
00.000.55	02	PICTORIAL INDEX - ELECTRICAL SYSTEMS
00.000.55	03	PICTORIAL INDEX - ELECTRICAL SYSTEMS
05.000.00		SECTION INDEX - MACHINE COMPLATION AND EQUIPMENT
05.100.01		INITIAL STOCKING LIST (LIST A)
05.100.02		INITIAL STOCKING LIST (LIST B)
05.100.03	01	FILTERS
05.100.03	02	CAPACITIES

TABLE OF CONTENTS

05.100.99		INITIAL STOCKING LIST (LIST C)
10.000.00	01	SECTION INDEX - ENGINE
10.000.00	02	SECTION INDEX - ENGINE
10.000.00	03	SECTION INDEX - ENGINE
10.001.AB		VAR - 391265 -ENGINE OIL FILTER, CRANKCASE
10.001.AD		VAR - 391265 - ENGINE
10.001.AF		VAR - 391265 - ENGINE, PLUGS
10.103.AH	01	VAR - 390340 - ENGINE, FLYWHEEL, MECHANICAL REVERSE
10.103.AH	02	VAR - 330059, 330061 - ENGINE, FLYWHEEL, POWERSHUTTLE
10.202.AB	01	VAR - 391290 - AIR CLEANER
10.202.AB	02	VAR - 391290 - AIR CLEANER, EJECTOR
10.202.AB	03	VAR - 390200 - AIR CLEANER
10.202.AD	01	VAR - 391290 - AIR CLEANER - AIR INTAKE PARTS
10.202.AD	02	VAR - 391290 - AIR INTAKE, DUCT
10.216.AI	01	VAR - 391270 - FUEL TANK
10.216.AI	02	VAR - 391270 - FUEL TANK PROTECTION, SUPPORT
10.216.AI	03	VAR - 391270 - COVER, SUPPLY MODULE
10.216.BA	01	VAR - 391270 - FUEL TANK, LINES
10.216.BA	02	VAR - 391270 - FUEL TANK, LINES (UREA/COOLING)
10.254.AI		VAR - 390199 - EXHAUST SYSTEM W/ MUFFLER
10.310.AA		VAR - 391265 - INTERCOOLER, PIPE, LINE
10.400.AY		VAR - 391265 - RADIATOR & HOSE
10.400.BE		VAR - 391265 - RADIATOR
10.400.BF	01	VAR - 391265 - RADIATOR & RELATED PARTS
10.400.BF	02	VAR - 391265 - RADIATOR FAN SHROUD
10.400.BH		VAR - 391265 - WATER TANK
10.414.AC		VAR - 390018, 330009 - FAN
10.500.AO	01	VAR - 390199 - SELECTIVE CATALYTIC REDUCTION (SCR) AND MUFFLER
10.500.AO	02	VAR - 390199 - SCR COVERS
10.500.AO	03	VAR - 390199 - SCR SUPPORT
10.500.AR	01	VAR - 391270 - UREA TANK
10.500.AR	02	VAR - 391270 - PROTECTION, UREA TANK
14.100.AU		VAR - 390340, 330059, 330061 - PTO SHAFT
18.000.00	01	PICTORIAL INDEX - CLUTCH
18.000.00	02	PICTORIAL INDEX - FLYWHEEL, DAMPER
18.100.AA	01	VAR - 330059, 390340 - CLUTCH, CABLE, MECHANICAL

TABLE OF CONTENTS

18.100.AA	02	VAR - 330059, 330061 - CLUTCH, CABLE, POWERSHUTTLE
18.100.AF	01	VAR - 390340, 330059, 330061 - CLUTCH, PEDAL
18.100.AF	02	VAR - 390340 - CLUTCH, CONTROL, MECHANICAL REVERSE
18.100.AN	01	VAR - 336939, 390844 - PTO CLUTCH, CONTROL LEVER, CAB
18.100.AN	02	VAR - 336939, 390844 - PTO CLUTCH, CONTROL LEVER, W/O CAB
18.100.AN	03	VAR - 336939, 390844 - PTO CLUTCH, CONTROL LEVER, CAB
18.100.AN	04	VAR - 336939, 390844 - PTO CLUTCH, CONTROL LEVER, CAB
18.112.AC	01	VAR - 390340 - FLYWHEEL, DAMPER, MECHANICAL REVERSE
18.112.AC	02	VAR - 330059, 330061 - FLYWHEEL, DAMPER, POWERSHUTTLE
21.000.00	01	PICTORIAL INDEX - TRANSMISSION
21.000.00	02	PICTORIAL INDEX - TRANSMISSION
21.109.AD	01	VAR - 390340 - TRANSMISSION COOLER LINES, MECHANICAL
21.109.AD	02	VAR - 330059, 330061 - TRANSMISSION COOLER LINES, POWERSHUTTLE
21.109.AD	03	VAR - 330059, 330061, 390340 - TRANSMISSION, COOLER, LINES, MECHANICAL
21.109.AD	04	VAR - 330059, 330061, 390340 - TRANSMISSION, COOLER, LINES, POWERSHUTTLE
21.112.AC	01	VAR - 330061, 3903402, 330059 - TRANSMISSION HOUSING, POWERSHUTTLE
21.112.AC	02	VAR - 330059, 330061 - SELECTOR CASE, POWERSHUTTLE
21.114.AL	01	VAR - 390340 - TRANSMISSION HOUSING, MECHANICAL REVERSE
21.114.AL	02	VAR - 390340 - SELECTOR CASE, MECHANICAL
21.118.AB		VAR - 330331, 390331 - TRANSMISSION, PLUGS
21.120.AB	01	VAR - 390331, 330331 - GEARBOX, HOUSING
21.120.AB	02	VAR - 390331 - GEARBOX, HOUSING, STANDARD DUTY
21.120.AB	03	VAR - 390331, 330331 - GEARBOX, HOUSING, HEAVY DUTY
21.130.AZ	01	VAR - 390340, 330059, 330061 - TRANSMISSION, CONTROLS, ROD & FORKS
21.130.AZ	02	VAR - 390340 - TRANSMISSION, RAIL ASSY, MECHANICAL
21.130.BC	01	VAR - 330059, 390340 - TRANSMISSION, CONTROL LEVER
21.130.BC	02	VAR - 330061 - TRANSMISSION, CONTROL LEVER, DUAL POWER
21.130.BC	03	VAR - 390340 - TRANSMISSION, CONTROL LEVER (FORWARD/REVERSE), MECHANICAL
21.130.BC	04	VAR - 390340 - TRANSMISSION, CONTROL LEVER (FORWARD/REVERSE), MECHANICAL, COMPONENTS
21.134.AB	01	VAR - 330059, 330061 - POWERSHUTTLE, VALVE
21.134.AB	02	VAR - 330059, 330061 - , POWERSHUTTLE, VALVE
21.134.AB	03	VAR - 330059, 330061 - TRANSMISSION CONTROL VALVE, POWERSHUTTLE, COMPONENTS
21.134.AB	04	VAR - 330059, 330061 - TRANSMISSION CONTROL VALVE, POWERSHUTTLE, COMPONENTS
21.134.AB	05	VAR - 330059, 330061 - TRANSMISSION CONTROL VALVE, POWERSHUTTLE, COMPONENTS
21.134.AH		VAR - 330059, 330061 - TRANSMISSION, CONTROL, ACTUATOR, POWERSHUTTLE
21.134.AI		VAR - 330059, 330061 - TRANSMISSION, TRANSMISSION (FORWARD/REVERSE), POWERSHUTTLE

TABLE OF CONTENTS

21.140.AE	01	VAR - 391266, 337280 - GEARS & SHAFT 30 KPH/40 KPH
21.140.AE	02	VAR - 391266, 337280 - GEARS & SHAFT 30 KPH/40 KPH
21.140.AE	03	VAR - 391266, 337280 - GEARS & SHAFT 30 KPH/40 KPH
21.140.AE	04	VAR - 391266, 337280 - GEARS & SHAFT 30 KPH/40 KPH
21.140.AR		VAR - 390340 - FRONT COVER 8X8, MECHANICAL REVERSE
21.154.AA	01	VAR - 330059 - FRONT COVER, 8X8, POWERSHUTTLE
21.154.AA	02	VAR - 330061 - FRONT COVER 16X8, POWERSHUTTLE
21.154.AA	03	VAR - 330059 - CLUTCH, 8X8
21.154.AA	04	VAR - 330061 - CLUTCH, 16X8
21.160.AN		VAR - 330066 - CREEPER, GEARS & SHAFT
21.160.AP	01	VAR - 330066 - CREEPER, CONTROL VALVE
21.160.AP	02	VAR - 390266 - LESS CREEPER CONTROL
23.000.00		PICTORIAL INDEX - 4WD LINES
23.314.AH	01	VAR - 391292 - FRONT, DRIVE SHAFT, 4WD, STANDARD DUTY
23.314.AH	04	VAR - 391292 - FRONT, DRIVE SHAFT, GUARD, 4WD, STANDARD DUTY
25.000.00	01	PICTORIAL INDEX - FRONT MECHANICAL DRIVE
25.100.AD	01	VAR - 391292 - FRONT AXLE, 4WD, HOUSING, STANDARD DUTY
25.100.AV	01	VAR - 391292, 3914004, 331497 - AXLE SUPPORT, 4WD, STANDARD DUTY
25.100.AV	04	VAR - 330403, 390373 - AXLE SUPPORT, 2WD, STANDARD DUTY & HEAVY DUTY
25.400.AD	01	VAR - 330403 - 2WD FRONT AXLE, EXTENSION, STANDARD DUTY
25.400.AD	02	VAR - 390373 - 2WD FRONT AXLE, EXTENSION, HEAVY DUTY
25.400.AH	01	VAR - 330403 - 2WD FRONT AXLE, HUB, STANDARD DUTY
25.400.AH	02	VAR - 390373 - 2WD FRONT AXLE, HUB, HEAVY DUTY
25.400.AM	01	VAR - 330403 - 2WD FRONT AXLE, BODY, STANDARD DUTY
25.400.AM	02	VAR - 390373 - 2WD FRONT AXLE, BODY, HEAVY DUTY
25.400.AQ	01	VAR - 330403 - 2WD FRONT AXLE, STEERING KNUCKLE, STANDARD DUTY
25.400.AQ	02	VAR - 390373 - 2WD FRONT AXLE, STEERING KNUCKLE, HEAVY DUTY
27.000.00		PICTORIAL INDEX - REAR DRIVE AXLE
27.100.AP	01	VAR - 390331, 330331 - TRANSFER BOX
27.100.AP	02	VAR - 390266 - TRANSFER BOX, CONTROL, 4WD, LESS CREEPER
27.100.AP	03	VAR - 330066 - TRANSFER BOX, CONTROL, 2WD, WITH CREEPER
27.100.AP	04	VAR - 330066 - TRANSFER BOX, CONTROL, 4WD, WITH CREEPER
27.106.AK	01	VAR - 390331, 330331 - DIFFERENTIAL LOCK
27.106.AK	02	VAR - 390331, 330331 - DIFFERENTIAL LOCK, CONTROL
27.120.AR		VAR - 330331 - WHEEL, HUB, ADAPTER
27.124.AB	01	VAR - 390331 - PLANETARY GEAR, FINAL DRIVE, STANDARD DUTY

TABLE OF CONTENTS

27.124.AB	02	VAR - 390331, 330331 - PLANETARY GEAR, FINAL DRIVE, HEAVY DUTY
27.124.AD	01	VAR - 390331 - FINAL DRIVE HOUSING, STANDARD DUTY
31.000.00		PICTORIAL INDEX - IMPLEMENT POWER TAKE-OFF
31.104.AR		VAR - 390340 - PTO, CONTROL VALVE LINE
31.110.AI	01	VAR - 390844 - PTO 540/1000 RPM, DRIVEN SHAFT
31.110.AI	02	VAR - 336939 - PTO 540 RPM, DRIVEN SHAFT
31.110.AK	01	VAR - 336939 - PTO 540 RPM, POWERSHUTTLE, DRIVEN SHAFT
31.110.AK	02	VAR - 390844 - PTO 540/1000 RPM, POWERSHUTTLE, DRIVEN SHAFT
31.114.AI		VAR - 390340, 330059, 330061 - PTO CLUTCH, VALVE
31.114.AT	01	VAR - 390844 - PTO 540/1000 RPM, GEAR
31.114.AT	02	VAR - 336939 - PTO 540 RPM, GEAR
33.000.00		PICTORIAL INDEX - BRAKES & CONTROLS
33.110.AJ		VAR - 391610, 393315 - HAND BRAKE, LEVER
33.110.AP	01	VAR - 391610, 393315 - PARKING BRAKE, EXTERNAL CONTROL
33.120.AC		VAR - 390331, 330331 - BRAKE, ACTUATOR
33.202.AE	01	VAR - 390302 - BRAKE, HYD. LINE, CAB, LESS CREEPER
33.202.AE	02	VAR - 390302 - BRAKE, HYD. LINE, W/O CAB, LESS CREEPER
33.202.AE	04	VAR - 330066 - BRAKE, HYD. LINE, W/ CREEPER
33.202.AK		VAR - 390302 - BRAKE DISC
33.202.AN	01	VAR - 390302 - BRAKE RESERVOIR & LINES, CAB
33.202.AN	02	VAR - 390302 - BRAKE RESERVOIR & LINES, W/O CAB
33.202.AR		VAR - 390302 - BRAKE, PUMP, CYLINDER
33.202.BN		VAR - 390302 - BRAKE PACKAGE, PEDAL
35.000.00	01	PICTORIAL INDEX - HYDRAULIC SYSTEMS
35.000.00	02	PICTORIAL INDEX - HYDRAULIC SYSTEMS
35.000.00	03	PICTORIAL INDEX - HYDRAULIC SYSTEMS
35.100.AB		VAR - 335784 - LESS HYDRAULIC LIFT, ASSY
35.100.AZ		VAR - 336784, 339784, 390344 - HYDRAULIC LIFT, PRIORITY VALVE ASSEMBLY USE WITH REMOTES
35.100.BI	01	VAR - 330173, 719823 - HYDRAULIC LIFT, CYLINDER
35.100.BI	02	VAR - 390347 - LESS HYDRAULIC LIFT CYLINDER
35.104.AA		VAR - 330066, 390266 - HYDRAULIC PUMP
35.114.AA		VAR - 336784, 339784, 390344 - HYDRAULIC LIFT, CYLINDER
35.204.BE	01	VAR - 391267 - 2 REMOTE CONTROL VALVES
35.204.BE	02	VAR - 391267 - 2 REMOTE CONTROL VALVES
35.204.BE	03	VAR - 391267 - 2 REMOTE CONTROL VALVES
35.204.BE	04	VAR - 334195 - 3 REMOTE CONTROL VALVES

TABLE OF CONTENTS

35.204.BE	05	VAR - 334195 - 3 REMOTE CONTROL VALVES
35.204.BE	06	VAR - 334195 - 3 REMOTE CONTROL VALVES
35.204.BE	07	VAR - 336107 - 4 REMOTE CONTROL VALVES
35.204.BE	08	VAR - 336107 - 4 REMOTE CONTROL VALVES
35.204.BE	09	VAR - 336107 - 4 REMOTE CONTROL VALVES
35.204.BE	10	KIT, VALVE BODY
35.204.BE	11	VAR - 429472 - 2 REMOTE CONTROL VALVES
35.204.BE	12	VAR - 429472 - 2 REMOTE CONTROL VALVES
35.204.BE	13	VAR - 429472 - 2 REMOTE CONTROL VALVES
35.204.BE	14	VAR - 429473 - 3 REMOTE CONTROL VALVES
35.204.BE	15	VAR - 429473 - 3 REMOTE CONTROL VALVES
35.204.BE	16	VAR - 429473 - 3 REMOTE CONTROL VALVES
35.204.BE	17	VAR - 429474 - 4 REMOTE CONTROL VALVES
35.204.BE	18	VAR - 429474 - 4 REMOTE CONTROL VALVES
35.204.BE	19	VAR - 429474 - 4 REMOTE CONTROL VALVES
35.204.BE	20	VAR - 391267, 336107, 334195 - REMOTE CONTROL VALVE
35.204.BE	21	VAR - 391267, 336107, 334195 - REMOTE CONTROL VALVE
35.204.BE	22	REPAIR KIT, BLOCK VALVE FOR REMOTES
35.204.BE	23	REPAIR KIT, VALVE, INLET SECTION
35.204.BE	24	KIT, VALVE BODY, CAP
35.204.BE	25	KIT, VALVE SECTION
35.204.BJ	01	VAR - 391267, 336107, 334195 - REMOTE CONTROL VALVE, HOSES
35.204.BJ	02	VAR - 429472, 429473, 429474 - REMOTE CONTROL VALVE, HOSES
35.204.BL	01	VAR - 391267 - 2 REMOTE CONTROL VALVES, CONTROL LEVER, CAB
35.204.BL	02	VAR - 334195 - 3 REMOTE CONTROL VALVES, CONTROL LEVER, CAB
35.204.BL	03	VAR - 336107 - 4 REMOTE CONTROL VALVES, CONTROL LEVER, CAB
35.204.BL	04	VAR - 336107 - 4 REMOTE CONTROL VALVES, CONTROL LEVER, W/O CAB
35.204.BL	05	VAR - 334195, 391267, 429472, 429473 - COVER, TRIM, RH, 2 & 3 CONTROL LEVER, W/O CAB
35.204.BL	06	VAR - 391267 - 2 REMOTE CONTROL VALVES, ACTUATOR
35.204.BL	07	VAR - 334195 - 3 REMOTE CONTROL VALVES, ACTUATOR
35.204.BL	08	VAR - 336107 - 4 REMOTE CONTROL VALVES, ACTUATOR
35.204.BL	09	VAR - 391267 - 2 REMOTE CONTROL VALVES, CONTROL LEVER, W/O CAB
35.204.BL	10	VAR - 334195 - 3 REMOTE CONTROL VALVES, CONTROL LEVER, W/O CAB
35.204.BL	11	VAR - 393315 - REMOTE CONTROL VALVE, CLAMP, W/O CAB
35.204.BL	12	VAR - 429472 - 2 REMOTE CONTROL VALVES, CONTROL LEVER, CAB
35.204.BL	13	VAR - 429473 - 3 REMOTE CONTROL VALVES, CONTROL LEVER, CAB

TABLE OF CONTENTS

35.204.BL	14	VAR - 429474 - 4 REMOTE CONTROL VALVES, CONTROL LEVER, CAB
35.204.BL	15	VAR - 429472 - 2 REMOTE CONTROL VALVES, CONTROL LEVER, W/O CAB
35.204.BL	16	VAR - 429473 - 3 REMOTE CONTROL VALVES, CONTROL LEVER, W/O CAB
35.204.BL	17	VAR - 429474 - 4 REMOTE CONTROL VALVES, CONTROL LEVER, W/O CAB
35.204.BL	18	VAR - 429472 - 2 REMOTE CONTROL VALVES, ACTUATOR
35.204.BL	19	VAR - 429473 - 3 REMOTE CONTROL VALVES, ACTUATOR
35.204.BL	20	VAR - 429474 - 4 REMOTE CONTROL VALVES, ACTUATOR
35.204.BS	01	VAR - 330196 - MID MOUNT VALVE KIT, VALVE
35.204.BS	02	VAR - 429475 - MID MOUNT VALVE KIT, VALVE
35.204.BS	03	VAR - 330196 - MID MOUNT VALVE KIT
35.204.BS	04	VAR - 330196 - MID-MOUNT CONTROL VALVE
35.204.BS	05	VAR - 429475 - MID-MOUNT CONTROL VALVE
35.701.AD		VAR - 330196 - FRONT LOADER, ARM, QUICK COUPLER
37.000.00	01	PICTORIAL INDEX - HITCHES, DRAWBARS AND IMPLEMENT COUPLINGS
37.000.00	02	PICTORIAL INDEX - HITCHES, DRAWBARS AND IMPLEMENT COUPLINGS
37.000.00	03	PICTORIAL INDEX - HITCHES, DRAWBARS AND IMPLEMENT COUPLINGS
37.100.AA	01	VAR - 330937, 337890, 719430 - SWINGING DRAWBAR, WITH CLEVIS
37.100.AA	02	VAR - 392905, 337890 - SWINGING DRAWBAR, LESS CLEVIS
37.106.AG		VAR - 390344, 336784, 339784 - LIFT CONTROL, LEVER
37.108.AE	01	VAR - 336784, 339784, 390344 - LIFT LINK, ROD, EXTERNAL CONTROL
37.108.AE	02	VAR - 330845, 718181 - EXTERNAL CONTROL, LEVEL
37.110.AE		VAR - 336784, 339784, 390344 - HYDRAULIC, LIFT ARM
37.110.AP	01	VAR - 336784, 339784, 390344 - HYDRAULIC LIFT, COVER
37.110.AP	02	VAR - 336784, 339784, 390344 - HYDRAULIC LIFT, COVER, FITINGS
37.120.AF	01	VAR - 336784, 339784, 390344 - STABILIZER
37.120.AF	02	VAR - 336784, 339784, 719451 - CYLINDER, HYDRAULIC LIFT (2449 KG)
37.120.AF	03	VAR - 339784, 719452 - DOUBLE CYLINDER, HYDRAULIC LIFT (3266 KG)
37.120.AO	01	VAR - 390351 - LOWER LINK, ARM
37.120.AO	03	VAR - 330148 - LOWER LINK, ARM, QUICK-HITCH
37.120.AV	01	VAR - 390351 - 3 POINT HITCH, LIFTING ROD
37.120.AX	01	VAR - 390351 - 3 POINT HITCH
37.120.AX	02	VAR - 330148 - 3 POINT HITCH, QUICK-HITCH
39.000.00		PICTORIAL INDEX - FRAMES AND BALLASTING
39.140.AF	01	VAR - 330213, 330214, 330218, 334923, 111600 - FRONT WEIGHT (248KG)
39.140.AF	02	VAR - 330213, 330214, 330218, 334923 - FRONT WEIGHT (372KG)
39.140.AF	03	VAR - 330213, 330214, 330218, 334923, 719665 - FRONT WEIGHT (496KG)

TABLE OF CONTENTS

39.140.AF	05	VAR - 390215 - FRONT WEIGHT CARRIER, CAP
39.140.AL	01	VAR - 330471 - REAR WHEEL BALLAST (240KG)
39.140.AL	02	VAR - 330138 - REAR WHEEL BALLAST (240KG) FOR 30" TIRES
39.140.AL	03	VAR - 332497 - REAR WHEEL BALLAST (480KG), FLANGE AXLE
39.140.AL	04	VAR - 336935 - REAR WHEEL BALLAST (390KG), BAR AXLE
39.140.AL	05	VAR - 334354 - REAR WHEEL BALLAST (650KG), BAR AXLE
41.000.00		PICTORIAL INDEX - STEERING
41.101.AB	01	VAR - 393315, 391644 - STEERING WHEEL, STEERING COLUMN, W/ ELECTRICAL PROPORTIONAL CONTROL, W/O CAB
41.101.AB	02	VAR - 391644,393315 - GAS STRUT, STEERING COLUMN
41.101.AB	03	VAR - 391644,393315 - STEERING COLUMN
41.101.AB	04	VAR - 330644 - TELESCOPIC, STEERING COLUMN, CAB
41.106.AB	01	VAR - 330403 - 2WD FRONT AXLE, PITMAN, STANDARD DUTY
41.106.AB	02	VAR - 390373 - 2WD FRONT AXLE, PITMAN, HEAVY DUTY
41.106.AC	01	VAR - 330403 - 2WD FRONT AXLE, ROD, STANDARD DUTY
41.106.AC	02	VAR - 390373 - 2WD FRONT AXLE, ROD, HEAVY DUTY
41.200.AA	01	VAR - 390340 - HOSE, STEERING ASSY
41.200.AA	02	VAR - 330059, 330061 - HOSE, STEERING ASSY, POWERSHUTTLE
41.200.AL		VAR - 330059, 330061 - HYDRAULIC STEERING, OIL FILTER, POWERSHUTTLE
41.200.AO	01	VAR - 390340 - TUBE, STEERING ASSY
41.200.AO	02	VAR - 330059, 330061 - TUBE, STEERING ASSY, POWERSHUTTLE
41.200.CA	01	VAR - 391292, 390509, 330403, 390373 - STEERING VALVE, CAB
41.200.CA	02	VAR - 330403, 390373, 390509, 391292 - STEERING VALVE, W/O CAB
41.216.AB	01	VAR - 330403 - 2WD FRONT AXLE, OPERATING CYLINDER, STANDARD DUTY
41.216.AB	02	VAR - 330403 - 2WD FRONT AXLE, OPERATING CYLINDER, COMPONENTS, STANDARD DUTY
41.216.AB	03	VAR - 390373 - 2WD FRONT AXLE, OPERATING CYLINDER, HEAVY DUTY
41.216.AB	04	VAR - 390373 - 2WD FRONT AXLE, OPERATING CYLINDER, HEAVY DUTY
41.216.AV	01	VAR - 390340 - HOSE, STEERING ASSY
41.216.AV	02	VAR - 390340 - STEERING ASSY, MECHANICAL, 4WD
41.216.AV	03	VAR - 330059, 330061 - HYDRAULIC STEERING, CYLINDER, LINES, POWERSHUTTLE, 4WD
41.216.AV	04	VAR - 330403 - STEERING CONTROL, HYDRAULIC LINE, 2WD, STANDARD DUTY
41.216.AV	05	VAR - 390373 - STEERING, HYDRAULIC LINE, 2WD, HEAVY DUTY
44.000.00	01	PICTORIAL INDEX - FRONT WHEELS
44.000.00	02	PICTORIAL INDEX - REAR WHEELS
44.511.AE	01	VAR - 811440, 823061 - FRONT, WHEEL (W8LX16)
44.511.AE	02	VAR - 818052, 824060 - FRONT, WHEEL (W8LX16HD)
44.511.AE	04	VAR - 823020, 824060 - FRONT, WHEEL (W12X24)

TABLE OF CONTENTS

44.511.AE	05	VAR - 823530 - FRONT, WHEEL (W10X24)
44.511.AE	06	VAR - 8240301, 8240304, 8230608 - FRONT, WHEEL (W12X24)
44.511.AE	10	VAR - 828220 - FRONT, WHEEL (W10X28)
44.511.AE	12	VAR - 828240, 824130 - FRONT, WHEEL (W12X28)
44.511.AE	14	VAR - 828250 - FRONT, WHEEL (W12X28)
44.511.AE	17	VAR - 824864 - FRONT, WHEEL (W9X18)
44.511.AE	19	VAR - 824863 - FRONT, WHEEL (W10X34)
44.511.AE	20	VAR - 824862 - FRONT, WHEEL (W8X34)
44.511.AE	22	VAR - 8240304, 8230608 - FRONT, WHEEL (W12X24)
44.511.AE	23	VAR - 885044 - FRONT, WHEEL (W12X28)
44.520.AB	01	VAR - 831859 - REAR, WHEEL (W10X42)
44.520.AB	02	VAR - 831869 - REAR, WHEEL (W10X42)
44.520.AB	03	VAR - 832089 - REAR, WHEEL (DW15AX30)
44.520.AB	04	VAR - 832289, 832189 - REAR, WHEEL (DW15LX34)
44.520.AB	05	VAR - 833460, 832860, 895072 - REAR, WHEEL (DW15LX38)
44.520.AB	06	VAR - 835530 - REAR, WHEEL (DW15LX30GKN)
44.520.AB	07	VAR - 836076 - REAR, WHEEL (DW10X46)
44.520.AB	08	VAR - 836560, 836544, 834061 - REAR, WHEEL (DW15LX34)
44.520.AB	10	VAR - 838010 - REAR, WHEEL (W10X42)
44.520.AB	11	VAR - 838020 - REAR, WHEEL (DW20X30)
44.520.AB	12	VAR - 838040 - REAR, WHEEL (DW20X30)
44.520.AB	13	VAR - 839060 - REAR, WHEEL (DW16X38)
44.520.AB	15	VAR - 839150 - REAR, WHEEL (W16LX24)
44.520.AB	16	VAR - 848070 - REAR, WHEEL (DW15LX34)
44.520.AB	17	VAR - 848080 - REAR, WHEEL (DW16X38)
44.520.AB	19	VAR - 835760, 834061 - REAR, WHEEL (DW15LX30)
44.520.AB	20	VAR - 836078 - REAR, WHEEL (W13X46)
44.520.AB	21	VAR - 839050, 839060 - REAR, WHEEL (DW16X38)
50.000.00		PICTORIAL INDEX - CAB CLIMATE CONTROL
50.100.AP	01	VAR - 390646 - AIR CONDITIONER
50.100.AP	02	VAR - 390646 - AIR CONDITIONER, COMPONENTS
50.100.AP	03	VAR - 390646 - AIR CONDITIONER, COMPONENTS
50.100.AQ	01	VAR - 390646 - HEATER, LINE
50.100.AQ	02	VAR - 391265 - ENGINE, HEATING ELEMENT
50.200.AA		VAR - 390646 - AIR CONDITIONER, COMPRESSOR
50.200.AB		VAR - 390646 - AIR CONDITIONER, COMPRESSOR, LINE

TABLE OF CONTENTS

50.200.AK		VAR - 390646 - AIR CONDITIONER, CONDENSER
55.000.00	01	PICTORIAL INDEX - ELECTRICAL SYSTEMS
55.000.00	02	PICTORIAL INDEX - ELECTRICAL SYSTEMS
55.000.00	03	PICTORIAL INDEX - ELECTRICAL SYSTEMS
55.011.01	01	VAR - 391270 - SUPPLY MODULE
55.011.01	02	VAR - 391270 - SUPPLY MODULE
55.011.AC		VAR - 391270 - FUEL TANK, SENDER UNIT
55.014.AC		VAR - 391290 - AIR CLEANER, SENSOR
55.014.AM		VAR - 390199 - EXHAUST SYSTEM, SENSOR
55.015.AA		VAR - 391265 - ENGINE, CONTROL UNIT
55.015.AB	01	VAR - 391610, 393315 - HARNESS, ENGINE
55.015.AB	02	VAR - 391610 - HARNESS, ENGINE
55.015.AB	03	VAR - 391610 - HARNESS, DENOX, LH
55.024.AA	01	VAR - 391610, 390266 - TRANSMISSION, HARNESS, CAB
55.024.AA	02	VAR - 391610 - TRANSMISSION, HARNESS, CAB
55.024.AA	03	VAR - 393315, 390266 - TRANSMISSION, HARNESS, W/O CAB
55.024.AA	04	VAR - 393315 - TRANSMISSION, HARNESS, W/O CAB
55.031.AF	01	VAR - 391610, 393315 - PARKING BRAKE, WARNING LIGHT, SWITCH
55.031.AF	02	JUMPER, HAND BRAKE, CREEPER
55.040.AH	01	VAR - 390509, 391292 - 4WD, SWITCH, CAB
55.040.AH	02	VAR - 390509, 391292 - 4WD, SWITCH, W/O CAB
55.040.AH	03	VAR - 393315 - SWITCH, W/O CAB
55.040.AH	04	VAR - 330403, 390373 - 2WD, PLUG, CAB
55.040.AH	05	VAR - 330403, 390373 - 2WD, PLUG, W/O CAB
55.040.AH	06	VAR - 330066 - CREEPER SWITCH, CAB
55.040.AH	07	VAR - 330066 - CREEPER SWITCH, W/O CAB
55.040.AH	08	VAR - 391610 - SWITCH, CAB
55.050.AA		VAR - 390646 - AIR CONDITIONER, PRESSURE SWITCH
55.050.AY	01	VAR - 391610 - WIRE HARNESS, BLOWER, CAB
55.050.AY	02	VAR - 391610 - WIRE HARNESS, BLOWER, CAB
55.051.AA		VAR - 391610 - AIR CONDITIONER, CONTROL PANEL, CAB
55.100.AX	01	VAR - 391610, 393315 - FRONT, WIRE HARNESS
55.100.AX	02	VAR - 391610, 393315 - FRONT MAIN WIRE HARNESS
55.100.BE		VAR - 391610, 393315 - GROUND CABLE
55.100.DO	01	VAR - 393315, 330692 - FUSE, RELAY, MAIN FRAME, W/O CAB
55.100.DO	02	VAR - 391610, 330692 - FUSE, RELAY, MAIN HARNESS, CAB

TABLE OF CONTENTS

55.100.DO	03	VAR - 390509, 391292, 330066 - ELECTRICAL, CONTROL, CREEPER
55.100.DO	04	VAR - 330196, 393315 - FUSE, CONTROL, LOADER
55.100.DP	01	VAR - 330066 - HARNESS, CREEPER
55.100.DP	02	VAR - 330066 - HARNESS, CREEPER
55.100.DP	03	JUMPER, HARNESS, CREEPER
55.100.DP	04	JUMPER, HARNESS, CREEPER
55.100.DP	05	VAR - 390266 - ELECTRIC SYSTEM CONTROL, LESS CREEPER
55.201.AE		VAR - 391265 - STARTER MOTOR
55.201.AH	01	VAR - 391610, 393315 - IGNITION SWITCH
55.201.AH	02	VAR - 391610, 393315 - IGNITION KEY
55.201.AH	03	VAR - 393315 - IGNITION KEY, CAP
55.202.AX	01	VAR - 391265 - THERMOSTARTER CIRCUIT SWITCH AND RELAY
55.202.AX	02	VAR - 391265 - WIRE HARNESS, GRID HEATER
55.202.AX	03	VAR - 391265 - CABLE, POSITIVE, GRID HEATER
55.202.AX	04	VAR - 391265 - GROUND CABLE, GRID HEATER
55.301.AA		VAR - 390505 - ALTERNATOR
55.302.AG		VAR - 390747 - BATTERY
55.302.AV		VAR - 390747 - POS BATTERY CABLE
55.302.AW		VAR - 390747 - NEG BATTERY CABLE
55.404.AQ	01	VAR - 330007 - HEADLAMP
55.404.AQ	02	VAR - 330007 - HEADLAMP
55.404.BB	01	VAR - 391610, 393315 - INDICATOR LIGHT, REAR LIGHT
55.404.BB	02	VAR - 330007 - INDICATOR LIGHT, CAB
55.404.BB	03	VAR - 330007 - INDICATOR LIGHT, W/O CAB
55.404.BB	04	VAR - 391610, 393315 - INDICATOR LIGHT, REAR LIGHT
55.404.BM		VAR - 391293 - TAIL LAMP, W/O CAB
55.404.BS	01	VAR - 336924, 390786 - WORK LIGHT, CAB
55.404.BS	02	VAR - 336924 - WORK LIGHT, REAR, CAB
55.404.BS	03	VAR - 336924 - EXTENSION, WORK LIGHT, CAB
55.404.DB	01	VAR - 391610 - FLASHER UNIT, CAB
55.404.DB	02	VAR - 393315 - FLASHER UNIT, W/O CAB
55.405.AX		VAR - 391610, 393315 - INDICATOR LIGHT, SWITCH
55.405.CF	01	VAR - 391610, 393315 - LIGHT SWITCH
55.405.CF	02	HAZARD LIGHT SWITCH, JUMPER
55.405.CW		VAR - 391610 - BRAKE, SWITCH
55.408.AG		VAR - 330007 - HORN

TABLE OF CONTENTS

55.408.BE	01	VAR - 330692 - REVERSE ALARM
55.408.BE	02	VAR - 330692 - REVERSE ALARM, HARNESS
55.408.BG		VAR - 330692 - REVERSE ALARM, SWITCH
55.408.BL		VAR - 336923 - DRIVER SEAT (W/ ARMREST & AIR SUSPENSION 15° SWIVEL), SWITCH, CAB
55.408.CB	01	VAR - 336936 - ARM, MARKER, LIGHT, W/O CAB
55.408.CB	02	VAR - 336936 - ARM, MARKER, LIGHT, CAB
55.408.CB	03	VAR - 391206 - LIGHT, PLUG
55.415.AA	01	VAR - 330196 - MID MOUNT VALVE KIT, HARNESS
55.415.AA	02	VAR - 330196 - MID MOUNT VALVE KIT, HARNESS
55.510.AF	01	VAR - 391610 - MAIN HARNESS, BRACKET, CABLE CLIP, CAB
55.510.AF	02	VAR - 391610 - MAIN HARNESS, CAB, PART I
55.510.AF	03	VAR - 391610 - MAIN HARNESS, CAB, CAB, PART II
55.510.AF	04	VAR - 391610 - MAIN HARNESS, CAB, PART III
55.510.AH	01	VAR - 334743, 391126 - HARNESS, ROOF-MOUNTED, CAB
55.510.AH	02	VAR - 334743, 391126 - HARNESS, ROOF, CAB
55.510.BM	01	VAR - 391610 - SOCKET, CAB
55.510.BM	02	VAR - 391610 - SOCKET, CAB
55.510.BM	03	VAR - 391610 - SOCKET, CAB
55.510.BM	04	VAR - 393315 - SOCKET, W/O CAB
55.510.BM	05	VAR - 391610, 393315 - POWER SOCKET, BRACKET
55.510.BM	06	VAR - 330007 - HARNESS, POWER SOCKET
55.510.BO	01	VAR - 393315 - MAIN HARNESS, BRACKET, CABLE CLIP, W/O CAB
55.510.BO	02	VAR - 393315 - MAIN HARNESS, W/O CAB, PART I
55.510.BO	03	VAR - 393315 - MAIN HARNESS, W/O CAB, PART II
55.510.BO	04	VAR - 393315 - MAIN HARNESS, W/O CAB, PART III
55.511.AB	01	VAR - 391610, 393315 - HEADLAMP, WIRE HARNESS
55.511.AB	02	VAR - 391610, 393315 - HEADLAMP, WIRE HARNESS
55.512.AA		VAR - 337777, 392295 - RADIO, CAB
55.512.AD	01	VAR - 391610 - CIGARETTE LIGHTER, CAB
55.512.AD	02	VAR - 391610 - CIGARETTE LIGHTER, CAB
55.512.BG	01	VAR - 391610 - SWITCH, PLASTIC PLUG
55.512.BG	02	VAR - 393315 - SWITCH, PANEL, W/O CAB
55.512.BG	03	VAR - 391610 - SWITCH, PANEL, CAB
55.512.BG	04	VAR - 330642 - SWITCH, WIPER, PANEL, CAB
55.512.BG	05	VAR - 391610 - LIGHT CONSOLE SWITCH, CAB
55.512.BQ		VAR - 391610, 393315 - INSTRUMENT CLUSTER

TABLE OF CONTENTS

55.512.BT		VAR - 336923 - DELUXE SEAT ADAPTER, HARNESS
55.512.CL		VAR - 330196 - MID MOUNT VALVE, JOYSTICK
55.514.AA		VAR - 391126, 334743 - INTERIOR LIGHT, CAB
55.514.AW		VAR - 391610 - SWITCH, INTERIOR LIGHT, CAB
55.518.AH		VAR - 330642 - REAR, WIPER ARM, CAB
55.518.AI		VAR - 330642 - REAR, WIPER, MOTOR, CAB
55.518.AP	01	VAR - 390642 - WINDSHIELD WASH RESERVOIR, HOSE, CAB
55.518.AP	02	VAR - 390642 - WINDSHIELD WASH RESERVOIR, HOSE, CAB
55.518.AT	01	VAR - 390642 - WINDSHIELD WASH RESERVOIR, CAB
55.518.AT	02	VAR - 390642 - WINDSHIELD WASH RESERVOIR, CAB
55.518.AZ		VAR - 391610 - WINDSHIELD WIPER, MOTOR, CAB
55.520.BA	01	VAR - 391610 - MULTIFUNCTION SWITCH, CAB
55.520.BA	02	VAR - 393315 - MULTIFUNCTION SWITCH, W/O CAB
55.525.AK		VAR- 391610, 393315 - ACCELERATOR PEDAL
55.525.AL		VAR - 391610, 393315 - ACCELERATOR HAND CONTROL LINKAGE
55.618.AI	01	VAR - 393315 - LIMIT SWITCH, PTO, W/O CAB
55.618.AI	02	VAR - 336939, 390844 - LIMIT SWITCH, PTO, W/O CAB
55.618.AI	03	VAR - 336939, 390844 - LIMIT SWITCH, PTO, CAB
55.618.AI	04	VAR - 391610 - LIMIT SWITCH, BRAKES, PEDAL, CAB
55.988.AA	01	VAR - 390199 - SENSORS, EMISSION SYSTEM
55.988.AA	02	VAR - 390199 - HARNESS, DENOX, RH
82.100.AK		VAR - 330196 - FRONT LOADER, ARM, SUPPORT
88.100.35		DIA KIT, HYDRAULIC SYSTEM
88.100.35	01	VAR 718164, 718166 - DIA KIT, FROM 2 DELUXE VALVES TO 3
88.100.35	02	VAR 718164, 718166 - DIA KIT, FROM 2 DELUXE VALVES TO 3
88.100.35	03	VAR 718164 - DIA KIT, FROM 2 DELUXE VALVES TO 3, CAB
88.100.35	04	VAR - 718166 - DIA KIT, FROM 2 DELUXE VALVES TO 3, W/O CAB
88.100.35	05	VAR - 718165, 718171 - DIA KIT, FROM 3 DELUXE VALVES TO 4
88.100.35	06	VAR - 718165, 718171 - DIA KIT, FROM 3 DELUXE VALVES TO 4
88.100.35	07	VAR - 718165 - DIA KIT, FROM 3 DELUXE VALVES TO 4, CAB
88.100.35	08	VAR - 718171 - DIA KIT, FROM 3 DELUXE VALVES TO 4, W/O CAB
88.100.35	09	VAR - 718173, 718180, 439152, 439153 - DIA KIT, MID MOUNT VALVE KIT, LOADER
88.100.35	10	VAR - 718173, 718180 - DIA KIT, MID MOUNT VALVE KIT, LOADER
88.100.35	11	VAR - 439152, 439153 - DIA KIT, MID MOUNT VALVE KIT, LOADER
88.100.35	12	VAR - 718173, 718180, 439152, 439153 - DIA KIT, MID MOUNT VALVE KIT, LOADER
88.100.35	13	VAR - 342573, 342521 - DIA KIT, CONVERSION KIT FROM 2 TO 3 VALVES

TABLE OF CONTENTS

88.100.35	14	VAR - 342573, 342521 - DIA KIT, CONVERSION KIT FROM 2 TO 3 VALVES
88.100.35	15	VAR - 352573 - DIA KIT, CONVERSION KIT FROM 2 TO 3 VALVES, CAB
88.100.35	16	VAR - 342521 - DIA KIT, CONVERSION KIT FROM 2 TO 3 VALVES, ROPS
88.100.35	17	VAR - 342574, 342522 - DIA KIT, CONVERSION KIT FROM 3 TO 4 VALVES
88.100.35	18	VAR - 342574, 342522 - DIA KIT, CONVERSION KIT FROM 3 TO 4 VALVES
88.100.35	19	VAR - 342574 - DIA KIT, CONVERSION KIT FROM 3 TO 4 VALVES, CAB
88.100.35	20	VAR - 342522 - DIA KIT, CONVERSION KIT FROM 3 TO 4 VALVES, ROPS
88.100.37		DIA KIT, DRAWBAR AND HITCH
88.100.39		DIA KIT, FRAMES AND BALLASTING
88.100.39	01	VAR - 719434 - DIA KIT, REAR, WEIGHTS
88.100.50		DIA KIT, CAB, CLIMATE CONTROL
88.100.50	01	VAR - 710206 - HEATER, KIT
88.100.55		DIA KIT, ELECTRICAL SYSTEMS
88.100.55	01	VAR - 718159 - DIA KIT, ROTATING BEACON, CAB
88.100.55	02	DIA KIT, BACKUP ALARM, JUMPER
88.100.55	03	VAR - 718160 - DIA KIT, BACKUP ALARM, CAB
88.100.55	04	VAR - 718160 - DIA KIT, BACKUP ALARM, W/O CAB
88.100.55	06	VAR - 718149 - DIA KIT, WINDOW, REAR, WIPER AND WASHER
88.100.55	07	VAR - 718149 - DIA KIT, WINDOW, REAR, WIPER AND WASHER
88.100.55	08	VAR - 718173, 718180, 439152, 439153 - DIA KIT, MID MOUNT VALVE KIT, LOADER
88.100.82		DIA KIT, FRONT LOADER
88.100.82	01	VAR - 718173, 718180, 439152, 439153 - DIA KIT, MID MOUNT VALVE KIT, LOADER
88.100.90		DIA KIT, PLATFORM, CAB, BODYWORK & DECALS
88.100.90	01	VAR - 718130 - MOUNTING, BRACKET MONITOR EQUIPMENT, W/ CAB, KIT
88.100.90	02	VAR - 718157 - DIA KIT, STEEL FOPS, W/O CAB
88.100.90	03	VAR - 718141 - DIA KIT, DYNAMIC FRONT FENDER, 4WD
88.100.90	06	VAR - 710879 - DIA KIT, TELESCOPIC EXTERNAL REAR VIEW MIRROR, CAB
88.100.90	07	VAR - 718152 - DIA KIT, PASSENGER SEAT
88.100.90	08	VAR - 718173, 718180, 439152, 439153 - DIA KIT, MID MOUNT VALVE KIT, LOADER
88.100.AG		VAR - 330007, 330986, 330298, 334651, 333986, 334553, 334555, 335692 - TOOL
88.100.AH	01	VAR - 391269 - TOOL BOX, CAB
88.100.AH	02	VAR - 391269 - TOOL BOX, W/O CAB
88.100.AN	01	VAR - 330007 - WARNING TRIANGLE, CAB
88.100.AN	02	VAR - 330007 - WARNING TRIANGLE, W/O CAB
90.100.AU	01	VAR - 391610, 393315 - HOOD
90.100.AU	02	VAR - 391610, 393315 - HOOD, GRILLE, SIDE PANEL

TABLE OF CONTENTS

90.100.AU	03	VAR - 391610 - HOOD, GASKET
90.100.AU	04	VAR - 393315 - HOOD, SEAL, W/O CAB
90.100.AU	05	VAR - 391610, 393315 - REINFORCEMENT, HOOD
90.102.AU	01	VAR - 391610, 393315 - HOOD, LATCH
90.102.AU	02	VAR - 391610, 393315 - HOOD, LATCH
90.102.AW	01	VAR - 391610, 393315 - HOOD, SUPPORT
90.102.AW	02	VAR - 391610, 393315 - HOOD, SUPPORT, HINGE
90.102.AW	03	VAR - 391610, 393315 - HOOD, GAS STRUT
90.105.CQ		VAR - 391610 - BULKHEAD, CAB
90.108.AA	01	VAR - 330196 - DECAL, CONTROL, JOYSTICK
90.108.AA	02	VAR - 391610, 393315, 391270, 336107, 429472, 429473, 429474 - DECALS, CONTROL INSTRUCTION
90.108.AA	03	VAR - 391610, 393315, 391270, 336107 - DECALS, CREEPER
90.108.AB		VAR - 391610, 393315 - DECALS, MODEL
90.108.AC	01	VAR - 330007, 336937, 330845 - DECAL, WARNING & SERVICE
90.108.AC	02	VAR - 339986 - DECAL, MAINTENANCE NH - SPANISH
90.108.AC	03	VAR - 370007 - DECAL, MAINTENANCE NH - ENGLISH
90.108.AC	04	VAR - 339982 - DECAL, MAINTENANCE NH - FRENCH
90.108.AC	05	VAR - 339982 - DECALS, MISCELAN FRENCH VEHICLE & CAB
90.108.AC	06	VAR - 339986 - DECAL, WARNING & SERVICE SPANISH
90.110.AH		VAR - 393315 - INSTRUMENT PANEL, FRONT, W/O CAB
90.110.AP	01	VAR - 393315 - PLATFORM, W/O CAB
90.110.AP	02	VAR - 393315 - PLATFORM, SPARK ARRESTER, W/O CAB
90.110.AP	03	VAR - 393315 - PLATFORM, FRONT, GLASS, W/O CAB
90.110.AV	01	VAR - 390819 - TRIM, RH, W/O CAB
90.110.AV	02	VAR - 330196 - TRIM, RH, W/ FRONT LOADER, W/O CAB
90.110.AV	03	VAR - 393315 - TRIM, LEFT, W/O CAB
90.110.BD		VAR - 334742, 718153 - FLOOR MAT, W/O CAB
90.114.AQ		VAR - 393315 - ROPS, W/O CAB
90.114.AR		VAR - 335857, 718156 - CANOPY, W/O CAB
90.116.AC	01	VAR - 336940 - FRONT FENDER
90.116.AC	03	VAR - 391610, 393315 - REAR FENDER
90.116.AC	04	VAR - 391610 - REAR FENDER, COVER, CAB
90.116.AC	05	VAR - 393315 - REAR FENDER, COVER, W/O CAB
90.116.AC	06	VAR - 391610, 393315 - COVERS, LOWER, FENDER
90.116.BA	03	VAR - 336940 - FRONT FENDER, SUPPORT, LH
90.116.BA	04	VAR - 336940 - FRONT FENDER, SUPPORT, RH

TABLE OF CONTENTS

90.116.BA	06	VAR - 390860 - W/O FRONT FENDER
90.118.AX	01	VAR - 390460 - HANDRAIL
90.118.BM		VAR - 390154 - FIXED EXTERNAL REAR VIEW MIRROR
90.118.CE	01	VAR - 390460, 337102, 391610 - OPERATOR'S LADDER, LEFT SIDE
90.118.CE	02	VAR - 390460, 337102, 391610 - OPERATOR'S LADDER, RIGHT SIDE
90.120.AD	01	VAR - 391268 - SEAT, DRIVER SEAT
90.120.AD	02	VAR - 391268 - DRIVER SEAT, COMPONENTS
90.120.BB	01	VAR - 391268 - SEAT PEDESTAL & MECHANICAL SUSPENSION
90.124.AD		VAR - 336923 - DRIVER SEAT (15° SWIVEL), ARMREST, CAB
90.124.AE	01	VAR - 391268 - DRIVER SEAT, W/O CAB
90.124.AE	02	VAR - 391268 - DRIVER SEAT, W/O CAB
90.124.AE	03	VAR - 391268 - DRIVER SEAT, W/O CAB
90.124.AE	04	VAR - 336923 - DRIVER SEAT, SEAT PEDESTAL & AIR SUSPENSION, CAB
90.124.AH		VAR - 336923 - DRIVER SEAT (W/ ARMREST, 15° SWIVEL), CUSHION, CAB
90.124.AK	01	VAR - 336923 - DRIVER SEAT (W/ ARMREST, 15° SWIVEL), VALVE, BELLOWS, CAB
90.124.AK	02	VAR - 336923 - DRIVER SEAT (W/ ARMREST, 15° SWIVEL), SUSPENSION, COMPONENTS, CAB
90.124.AL		VAR - 336923 - DRIVER SEAT (W/ ARMREST, 15° SWIVEL), RAIL ASSY, CAB
90.124.AM	01	VAR - 336923 - DRIVER SEAT (W/ ARMREST, 15° SWIVEL), FRAME, CAB
90.124.AM	02	VAR - 336923 - DRIVER SEAT (W/ ARMREST, 15° SWIVEL), FRAME, CAB
90.124.AN		VAR - 336923 - DRIVER SEAT (W/ ARMREST, 15° SWIVEL), AIR COMPRESSOR, HARNESS, CAB
90.150.AC	01	VAR - 391610 - CAB FRAME
90.150.AC	02	VAR - 391610 - SPARK ARRESTER
90.150.AC	03	VAR - 391610 - REAR, CAB, PLUGS
90.150.BB	01	VAR - 337102, 391610 - SUPPORT, CAB, ROPS
90.150.BB	02	VAR - 391610, 393315 - SUPPORT, CAB, ROPS
90.150.BC	01	VAR - 334743 - ROOF, HATCH
90.150.BC	02	VAR - 334743 - ROOF, HATCH, HINGE
90.150.BC	03	VAR - 334743 - ROOF, HATCH
90.150.BG	01	VAR - 391126 - ROOF
90.150.BG	02	VAR - 391126 - CAB ROOF, PANEL
90.150.BG	03	VAR - 391126 - CAB ROOF, SHEET, LESS WINDOW
90.151.AC	01	VAR - 336937 - PASSENGER SEAT
90.151.AC	02	VAR - 336937 - PASSENGER SEAT
90.151.AC	03	VAR - 336937 - PASSENGER SEAT
90.151.AD		VAR - 336923 - DRIVER SEAT (W/ ARMREST, 15° SWIVEL), BELT, CAB
90.151.AE		VAR - 391126 - ROOF

**Thanks very much for your reading,
Want to get more information,
Please click here, Then get the complete
manual**

JustClickHere 

NOTE:

**If there is no response to click on the link above,
please download the PDF document first, and then
click on it.**

**Have any questions please write to me:
admin@servicemanualperfect.com**